



RFA630-100

SICK
Sensor Intelligence.



Ordering information

Type	Part no.
RFA630-100	1059946

Other models and accessories → www.sick.com/

Detailed technical data

Technical specifications

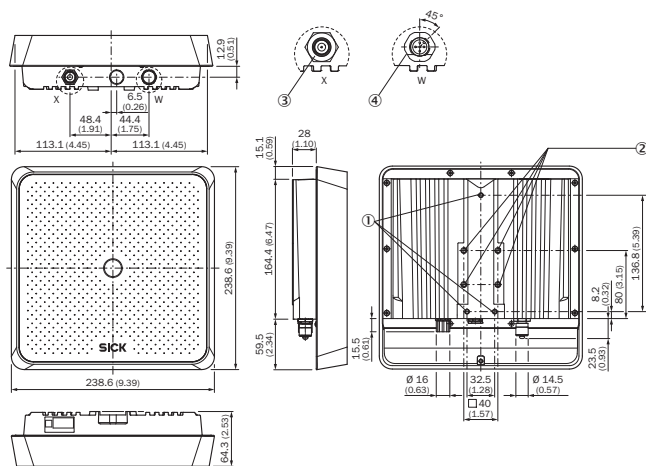
Accessory group	RFID antennas
Description	Industrial RFID UHF antenna, carrier frequency 865 ... 868 MHz (Europe, India, Russia, South Africa, Saudi Arabia), TNC male connector, with integrated feedback LED (RGB)
Version	Long Range
Frequency band	UHF (860 MHz ... 960 MHz)
Carrier frequency	865 MHz ... 868 MHz
Output power	2 W (ERP)
Polarization	Circular polarised / RHCP
Voltage standing wave ratio	< 1.2
Gain	Typ. 9 dBic
3 dB aperture angle	Typ. 72°
Axial ratio	Typ. < 2 dB
Front-to-back ratio	Typ. > 17 dB
Optical indicators	1 LED, multi-colored
Weight	+ 3,000 g
Housing material	Aluminum Polycarbonat (front)
Enclosure rating	IP67
Dimensions (W x H x L)	239 mm x 65 mm x 239 mm
Ambient operating temperature	-25 °C ... +50 °C
Storage temperature	-30 °C ... +70 °C
Permissible relative humidity	95 %, Non-condensing

Classifications

ECl@ss 5.0	27280401
ECl@ss 5.1.4	27280401
ECl@ss 6.0	27280401
ECl@ss 6.2	27280401
ECl@ss 7.0	27280401
ECl@ss 8.0	27280401

ECI@ss 8.1	27280401
ECI@ss 9.0	27280401
ETIM 6.0	EC002998
UNSPSC 16.0901	52161523

Dimensional drawing (Dimensions in mm (inch))



- ① Blind hole thread M5, 8 mm deep
- ② Blind hole thread M6, 11 mm deep
- ③ TNC reverse
- ④ Male connector M12, 5-pin, A-coded

SICK AT A GLANCE

SICK is one of the leading manufacturers of intelligent sensors and sensor solutions for industrial applications. A unique range of products and services creates the perfect basis for controlling processes securely and efficiently, protecting individuals from accidents and preventing damage to the environment.

We have extensive experience in a wide range of industries and understand their processes and requirements. With intelligent sensors, we can deliver exactly what our customers need. In application centers in Europe, Asia and North America, system solutions are tested and optimized in accordance with customer specifications. All this makes us a reliable supplier and development partner.

Comprehensive services complete our offering: SICK LifeTime Services provide support throughout the machine life cycle and ensure safety and productivity.

For us, that is “Sensor Intelligence.”

WORLDWIDE PRESENCE:

Contacts and other locations –www.sick.com